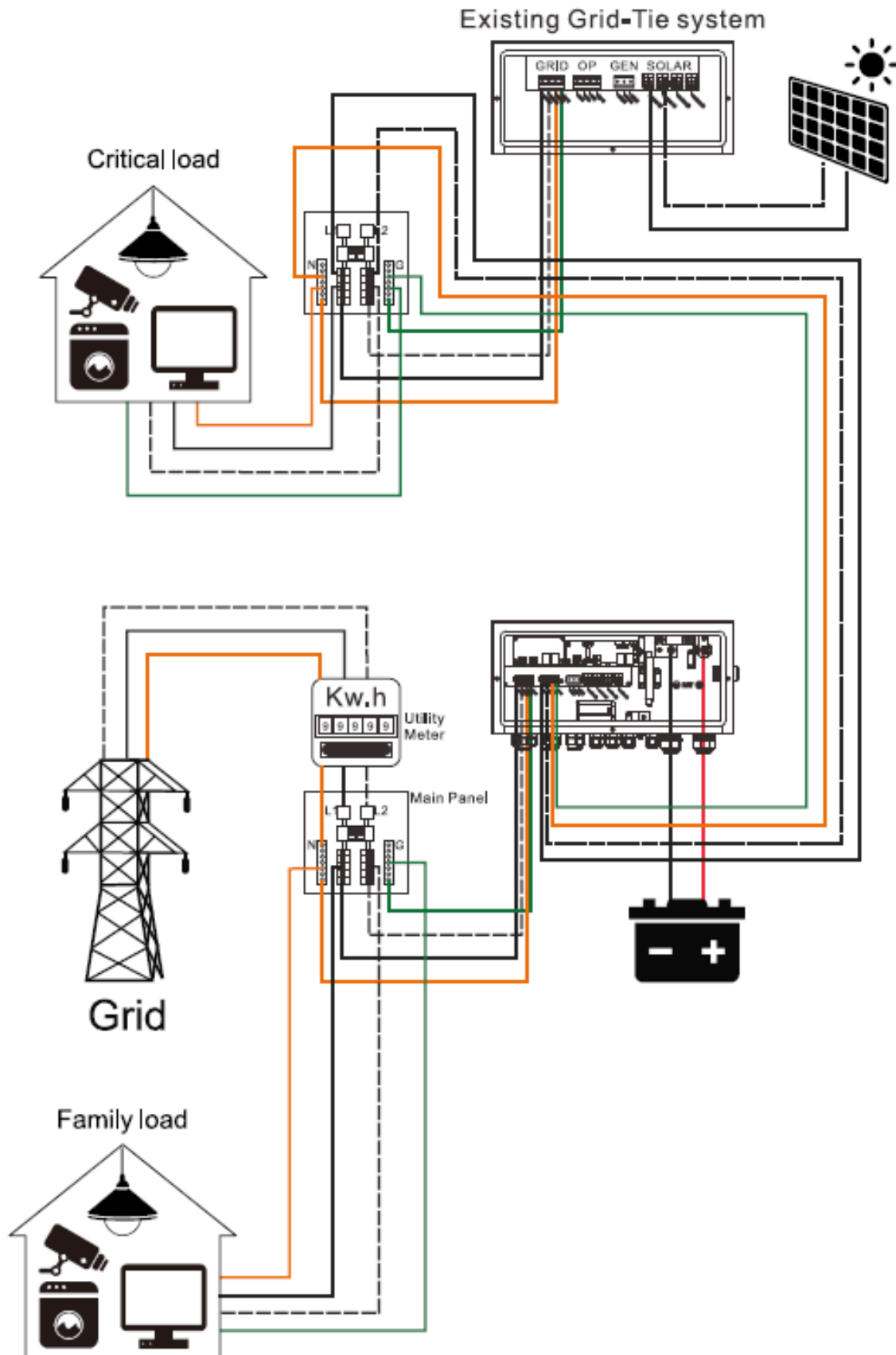


## Appendix V: The AC Output Coupling Operation Guide

The AC output coupling function can be enable from output port or generator port.


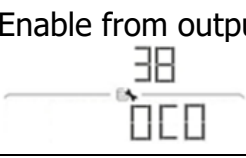
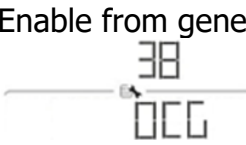
### Enable from output port

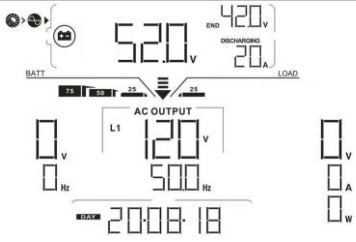


**Step 1:** Power off the inverter and connect according to the wiring diagram below.



**Step 2:** Power on the inverter, wake up the LCD and modify LCD setting. Enter LCD program #13 and #32, set up as any Grid-tie with backup mode and Single operation. The AC output coupling will not be enable if the above settings are not followed.

**Step 3:** When in Standby mode, Enter LCD setting to change program #38 to "OCO".

38	AC output coupling	Disable(default) 	This function can only be set if the following conditions are comply: Parallel disable、Grid-tie with backup、Standby mode. If selected Enable, generator port and External CT function will be disabled.
		Enable from output 	
		Enable from generator 	

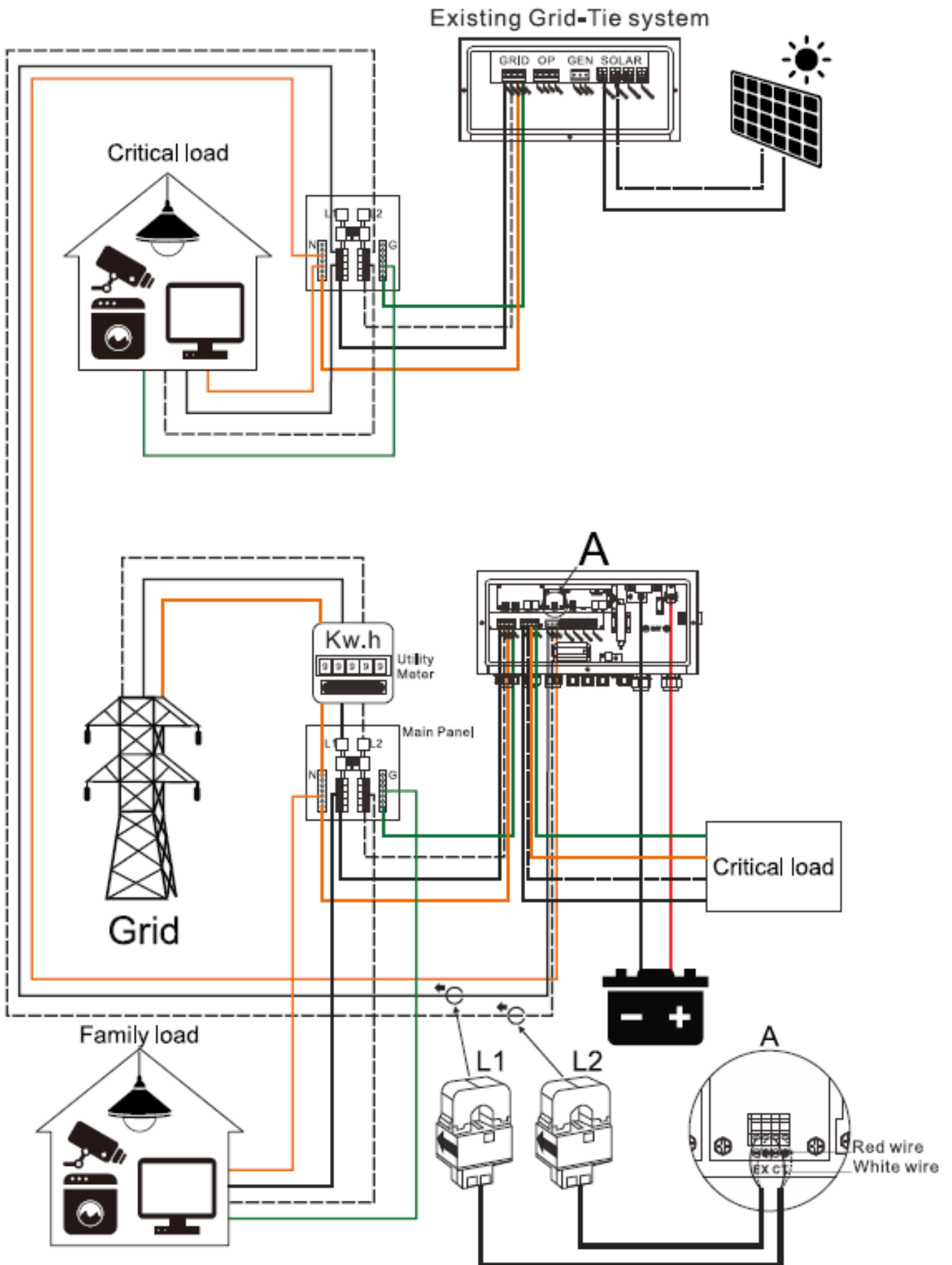
LCD Display	Description
	Battery discharge to load from output port, "D" icon will be illuminated.
	Battery charge from output port, "C" icon will be flash once every 0.5 second.
	The inverter is abnormal or out of program#42, "A" icon will be flash once every 0.2 second.

**NOTE:**

1. When the AC output coupling function is enable, program #36 and #39 will be disable.
2. AC output coupling function can only be set if the following conditions are comply: Parallel disable、Grid-tie with backup、Standby mode.


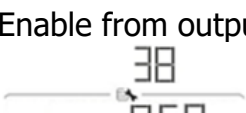
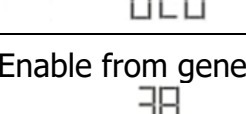
## Enable from generator port

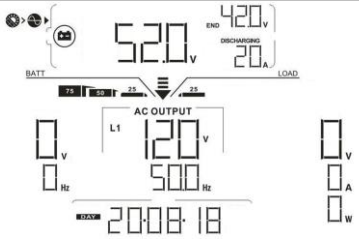
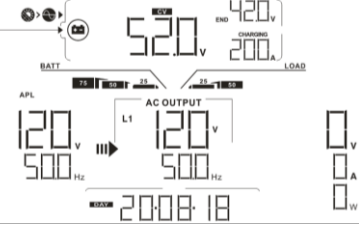

**Step 1:** Power off the inverter and connect according to the wiring diagram below.



**Step 2:** Power on the inverter, wake up the LCD and modify LCD setting. Enter LCD program #13 and #32, set up as any Grid-tie with backup mode and Single operation. The AC output coupling will not be enable if the above settings are not followed.

**Step 3:** When in Standby mode, Enter LCD setting to change program #38 to "OCG".

38	AC output coupling	Disable(default) 	This function can only be set if the following conditions are comply: Parallel disable、Grid-tie with backup、Standby mode. If selected Enable, generator port and External CT function will be disabled.
		Enable from output 	
		Enable from generator 	

LCD Display	Description
	Battery discharge to load from generator port, "OCG" icon will be illuminated.
	Battery charge from generator port, "OCG" icon will be flash once every 0.5 second.
	The inverter is abnormal or out of program#42, "OCG" icon will be flash once every 0.2 second.

**NOTE:**

1. When the AC output coupling function is enable, program #36 and #39 will be disable.
2. AC output coupling function can only be set if the following conditions are comply: Parallel disable、Grid-tie with backup、Standby mode.
3. When AC output coupling enable from generator port, CT sensor must be installed.